



R&E

ROBOTICS &
END OF LINE

TRIPLE CHAMBER TUNNEL



Forced Air Convection Tunnels

Texwrap's line of triple-chamber forced air convection tunnels are designed to give outstanding shrink results on high speed applications. Generally paired with a high speed or servo continuous motion wrapper, this type of tunnel uses large volumes of high velocity air to impart the necessary energy to the film for the best shrink package.

Texwrap's standard line of forced air tunnels have proven over years of use to be capable of producing excellent results with most packages. Digital temperature controls, high velocity fans, individual top and bottom controls for air direction, and variable speed conveyors all contribute to the precise control of the process to put the right amount of heat of the right places over the correct amount of time to produce outstanding shrink results.

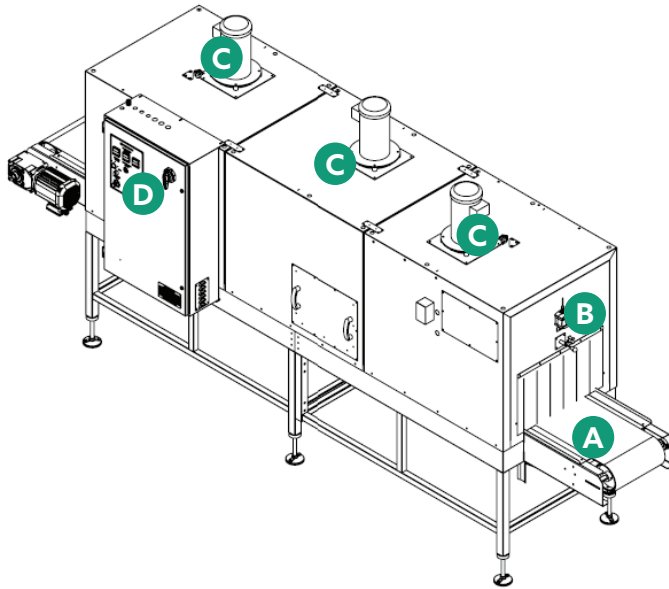
FEATURES AND BENEFITS

- Continuous duty industrial grade AC blower
- Top air dampen control for the adjustment of air flow to the top or bottom of the package for even shrink
- Well insulated heat chamber resulting in reduced energy consumption
- Audible high and low heat alarm alerting operator to maintenance requirements
- Back-up high heat chamber switch
- Automatic cool down® does not require an operator's presence to cool down safely

TYPICAL PRODUCT SPECIFICATIONS

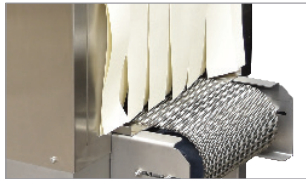
Triple Chamber Tunnels	STB-1322-3	STB-1432-3
Opening	13" Height 22" Width	14" Height 32" Width
Chamber Length	127.5"	166"
Conveyor Width	15"	24"
Footprint	177" Length 45" Width	215" Length 55" Width
Conveyor Speed	Up to 200 feet per minute	
Heater	6 flange Cal-rods types	
Air Requirements	80 PSI, 6 CFM	
Electrical Requirements	480 VAC	

PRODUCT OPERATION



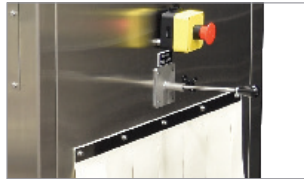
OPTIONS

- Multiple belt options for compatibility with various films and products.
- Available in standard powder coated steel finish and optional corrosion resistant stainless-steel or wipe-down designs
- NEMA 4 or 4X enclosures available
- Options available to accommodate heavy products or shrink material compatibility



A. BELT OPTIONS

A durable stainless-steel mesh belt is standard and easily handles most products and environments. However options are available to accommodate heavier products, or films that might stick to stainless-steel.



B. AIR FLOW CONTROL

Simple to adjust and fine tune the air flow directed to the top or bottom of the package, ensuring an even shrink all the way around.



C. BLOWER MOTOR

Continuous duty industrial grade AC blower motor provides variable speed control that can be adjusted to maximize shrink results based on conveyor speed.



D. DIGITAL TEMP CONTROLS

Digital temperature control maintains the temperature much closer to setpoint than traditional thermostats can, plus the easy-to-read L.E.D provides quick control and adjustment of the tunnel, including temp, top air velocity adjustment and conveyor speed.